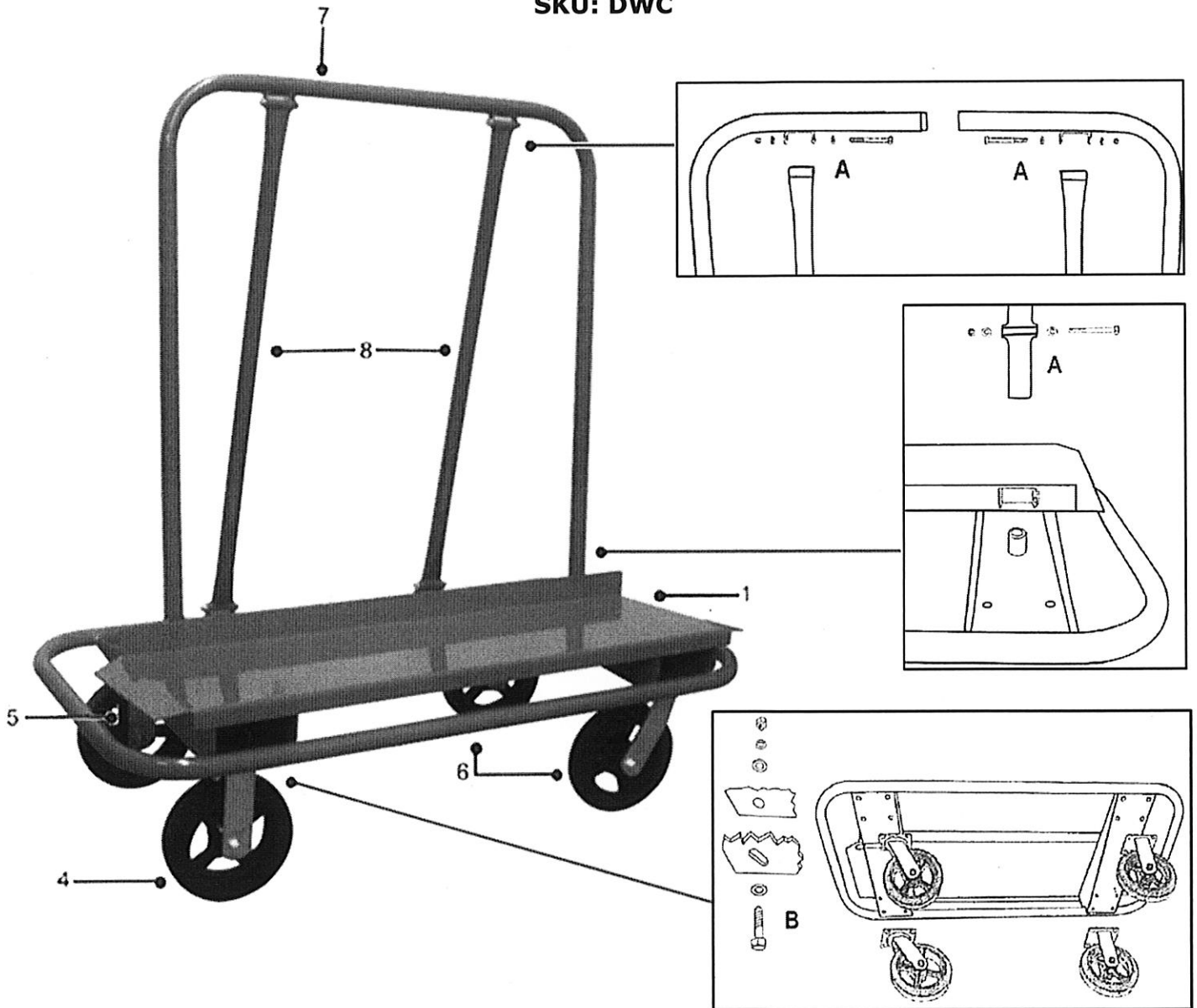


ECHELON™ DRYWALL CART

INSTRUCTION MANUAL

SKU: DWC



Contents

- 1. Dolly Platform
- 2. **A Set:** (1) Long Hex Bolt, (2) Flat Washers, (1) Lock Nut
- 3. **B Set:** (1) Short Hex Bolt, (2) Flat Washers, (1) Lock Washer, (1) Nut
- 4. Swivel Caster
- 5. Stop-Pin Swivel Caster
- 6. Fixed Caster
- 7. Handle
- 8. Support Pipe

Qty.

- 1
- 6
- 16
- 1
- 1
- 2
- 1
- 2

